

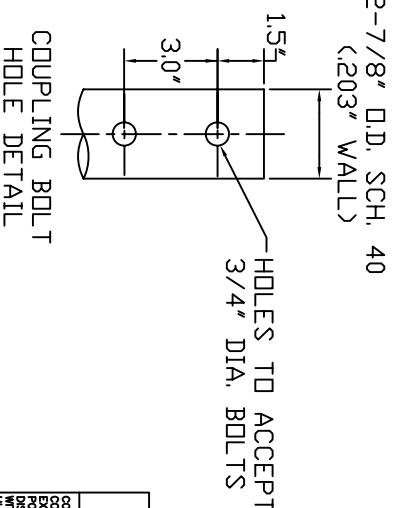
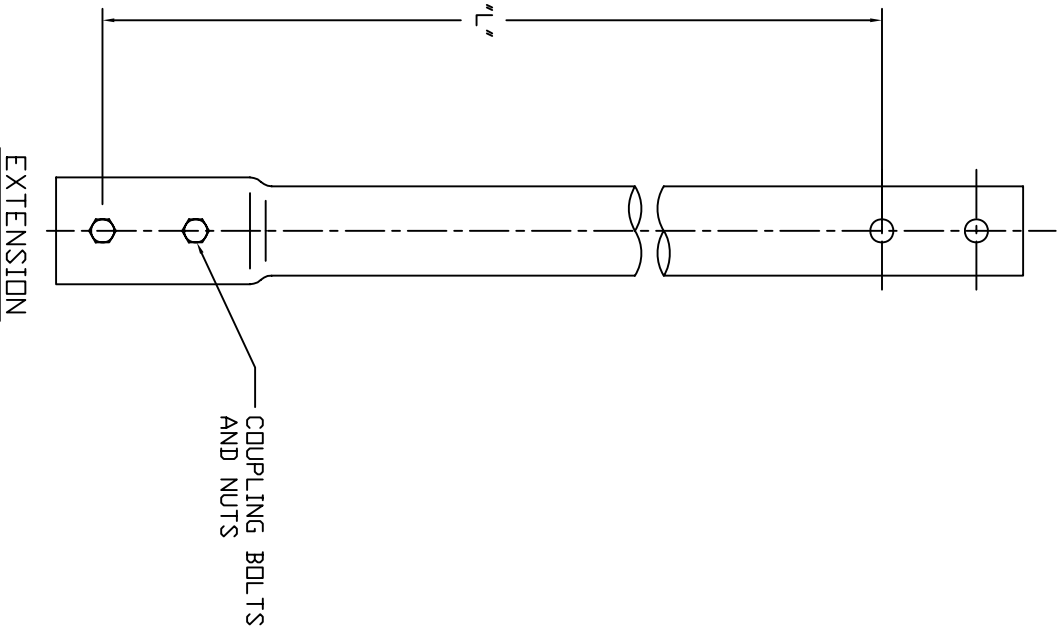
RS2875.203 EXTENSIONS

TORQUE STRENGTH RATING-5,500 FT-LB
 ULTIMATE TENSION & COMPRESSION STRENGTH-60 KIP

-NOTES-

1. HOT DIP GALVANIZED PER ASTM 153-(LATEST REVISION) C278-4500NG, AND C278-4700NG ARE NON-GALVANIZED.
2. EXTENSION SECTION LENGTHS ARE NOMINAL.
3. PIPE SHAFT MATERIAL 2.5" NOMINAL, SCHEDULE 40 WALL THICKNESS PER ASTM A500 GRADE B.
4. COUPLING BOLTS: 3/4" DIAMETER X 4.25" LONG HEX HEAD PER SAE J429 GRADE 5.
5. REFER TO SA278-4510 AND SA278-4510X37 FOR LEAD SECTION DRAWINGS.
6. MANUFACTURER TO HAVE IN EFFECT INDUSTRY RECOGNIZED WRITTEN QUALITY CONTROL FOR ALL MATERIALS AND MANUFACTURING PROCESSES.
7. EXTENSIONS ARE FABRICATED WITH A HOT FORGED EXPANDED INTEGRAL COUPLING CONNECTION ON ONE END.

CATALOG NUMBER	DESCRIPTION	"L"
C278-4300	RS2875.203 PIPE SHAFT EXT.	30"
C278-4500	RS2875.203 PIPE SHAFT EXT.	57"
C278-4500NG	RS2875.203 PIPE SHAFT EXT. NON-GALV.	57"
C278-4700	RS2875.203 PIPE SHAFT EXT.	78"
C278-4700NG	RS2875.203 PIPE SHAFT EXT. NON-GALV.	78"
C278-41000	RS2875.203 PIPE SHAFT EXT.	114"



2-7/8" D.D. SCH. 40
 (203" WALL)

CONFIDENTIAL - THIS DRAWING AND ITS CONTENTS ARE THE EXCLUSIVE PROPERTY OF HUBBELL POWER SYSTEMS. NO REPLICATION, DISTRIBUTION OR OTHER USE IS TO BE MADE WITHOUT THE WRITTEN CONSENT OF HUBBELL POWER SYSTEMS. UNPUBLISHED HUBBELL POWER SYSTEMS UNDER THE COPYRIGHT LAWS.		CHANGE HELICAL	HUBBELL POWER SYSTEMS
TITLE RS2875.203 PILE, EXTENSION		SIZE SCSA278-4500	CAT / PART / ASSY NO. SEE CHART
DRAWN BY KSH		DATE 9/6/05	SHEET 1/1