

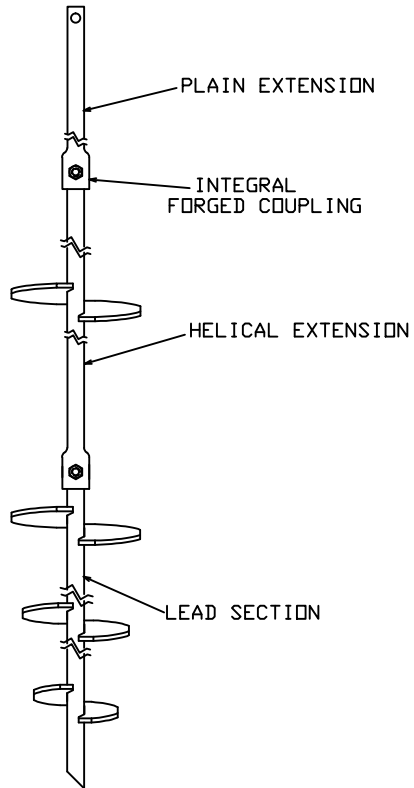
TORQUE STRENGTH RATING - 5,700 FT-LB
 ULTIMATE CAPACITY*(TENSION/COMPRESSION)-57 KIP
 * BASED ON A TORQUE FACTOR (K+)=10
 PER ICC-ES AC308 SECTION 3.13.2
 NOMINAL TENSION STRENGTH (COUPLING BOLT)-70 KIP

SS5 EXTENSIONS

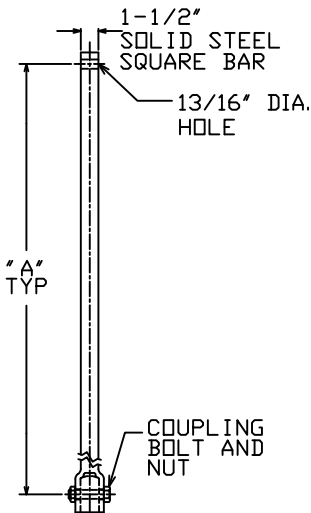
-NOTES-

EXTENSION				
CAT. NO.	"A"	"B"	"E"	ICC-ES LISTED ESR-2794
C150-0159	57-1/2"	12"	27-1/2"	X
C150-0166	37-3/4"	14"	27-3/4"	X
C150-0167	57-1/2"	14"	27-1/2"	
C150-0158	58"	10"	8"	
T150-0440	59"	14"	4"	
C150-0047	37-3/4"			X
C150-0008	57-1/2"			X
C150-0009	80-1/2"			X
C150-0048	120"			X
C150-0032	20"			
C114-0009	11"			

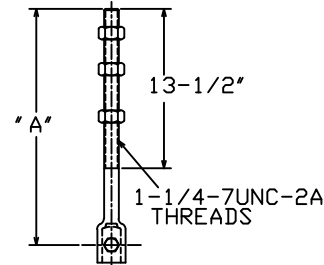
- HOT DIP GALVANIZED PER ASTM A153-(LATEST REV.)
- LEAD AND EXTENSION SECTION AND PILOT POINT LENGTHS ARE NOMINAL.
- SHAFT MATERIAL-HOT ROLLED ROUND-CORNERED-SQUARE (RCS) SOLID STEEL BARS PER ASTM A29; MINIMUM YIELD STRENGTH=70 KSI.
- COUPLING BOLTS: 3/4" DIAMETER X 3" LONG HEX HEAD PER ASTM A325 TYPE1.
- MANUFACTURER TO HAVE IN EFFECT INDUSTRY RECOGNIZED WRITTEN QUALITY CONTROL FOR ALL MATERIALS AND MANUFACTURING PROCESSES.
- ALL WELDING TO BE DONE BY WELDERS CERTIFIED UNDER SECTION 5 OF THE AWS CODE D1.1.
- SEE ICC EVALUATION SERVICE INC., EVALUATION REPORT NO. ESR-2794 FOR NOMINAL, DESIGN, AND ALLOWABLE STRENGTH VALUES AND/OR CONDITIONS OF USE CONCERNING INFORMATION PRESENTED ON THIS DRAWING.
- REFER TO SA150-0001 DRAWING FOR LEAD SECTIONS AND HELICAL EXTENSIONS.



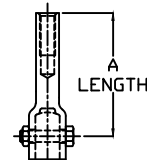
TYPICAL ANCHOR/PILE ASSEMBLY



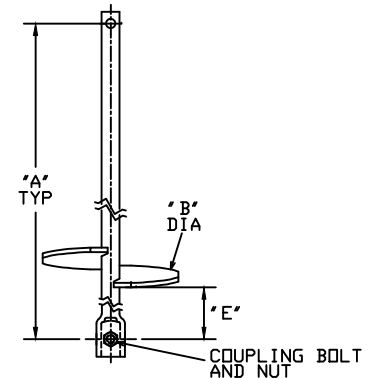
PLAIN EXTENSION



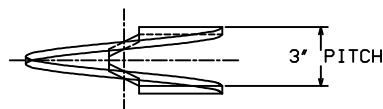
THREADED ADAPTER
C150-0032 FOR
1-1/2" SHAFT



1" DYWIDAG ADAPTER
C114-0009 FOR
1-1/2" SHAFT



SINGLE HELIX
EXTENSION



ICC-ES LISTED
ESR-2794

CHANCE	HUBBELL POWER SYSTEMS		
CONFIDENTIAL: THIS DRAWING AND ITS CONTENTS ARE CONFIDENTIAL AND THE EXCLUSIVE PROPERTY OF HUBBELL POWER SYSTEMS. NO PUBLICATION, DISTRIBUTION OR COPIES MAY BE MADE WITHOUT THE WRITTEN CONSENT OF HUBBELL POWER SYSTEMS. HUBBELL POWER SYSTEMS UNPUBLISHED. ALL RIGHTS RESERVED UNDER THE COPYRIGHT LAWS.			
SIZE	DWG NO.	CAT / PART / ASSY NO.	REV
SC	SA150-0047	SEE CHART	E
DO NOT SCALE THIS DRAWING	DRN BY KSH	DATE 4/25/05	SHEET 2/2